

## Q-Suction 8-Tip

### 1. Description

Vacuum suction pumps are generally used to aspirate liquids such as media from cell cultures or supernatant. The Q-Suction 8-Tip fits on the vacuum pump tubing so that it can be used to remove media and solutions from 8 wells simultaneously on the 96 or 384 well plates for ELISA, HLA, Tissue Typing, and other applications.

### 2. Features

- ❖ Disposable
- ❖ Steriles (Cat. No. 92108, 92208)
- ❖ Individual package (Cat. No. 92108, 92208)

### 3. Functional Test

- ❖ Cytotoxicity
- ❖ Non-Pyrogenic
- ❖ RNase/DNase Free
- ❖ Human-DNA Free

### 4. Product Range

Cat.No.	Material	Dimensions	Steriles	Packaging
92108	PP	72.9 x 13.7 x 56.1	+	1 / 25
92208	PP	72.9 x 13.7 x 56.1	+	1 / 50
92308	PP	72.9 x 13.7 x 56.1	-	50 / 50

### 5. Certification

SPL Life Sciences hereby certifies that the product identified above, inspected to be in compliance with product quality specification and requirements as documented in our ISO 9001:2015 Quality Management System (K-QA-Q031478) in Korea.

## 6. Specifications & Technical Drawing

### (1) Q-Suction 8-Tip (# 92108) - Specifications

Dimensions	Manifold	Materials	Steriles	SterilesPackaging
Length: 72.9 mm Width: 13.7 mm Height: 56.1 mm	8	PP	+	<ul style="list-style-type: none"> <li>• Pieces/Sleeve: 1</li> <li>• Pieces/Case: 25</li> </ul>

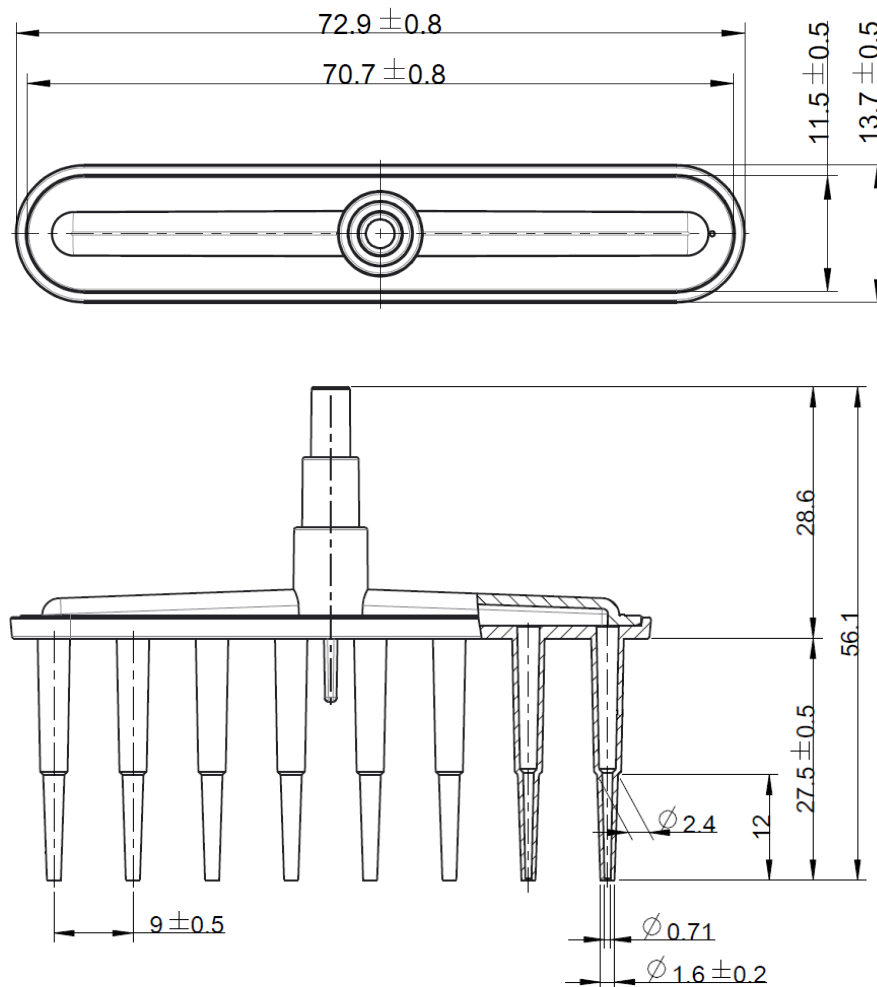
### (2) Q-Suction 8-Tip (#92208) - Specifications

Dimensions	Manifold	Materials	Steriles	SterilesPackaging
Length: 72.9 mm Width: 13.7 mm Height: 56.1 mm	8	PP	+	<ul style="list-style-type: none"> <li>• Pieces/Sleeve: 1</li> <li>• Pieces/Case: 50</li> </ul>

### (3) Q-Suction 8-Tip (#92308) - Specifications

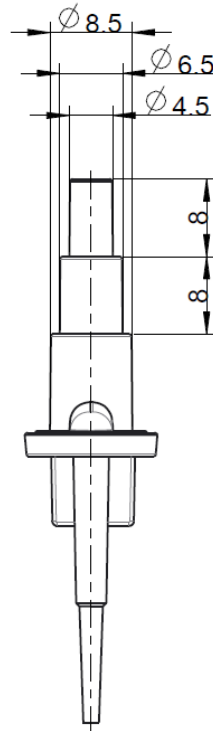
Dimensions	Manifold	Materials	Steriles	SterilesPackaging
Length: 72.9 mm Width: 13.7 mm Height: 56.1 mm	8	PP	-	<ul style="list-style-type: none"> <li>• Pieces/Sleeve: 50</li> <li>• Pieces/Case: 50</li> </ul>

### - Technical Drawing



SPL-TDS-Q-Suction 8-Tip

For Research Use Only. Not intended for use in diagnostic or therapeutic procedures.  
© SPL Life Sciences Co., Ltd., Version 1, Jul. 24<sup>nd</sup>, 2019



[www.spllifesciences.com](http://www.spllifesciences.com)

For technical assistance, contact SPL R&D Center at:  
Tel: +82-31-533-4800; Fax: +82-31-533-1430; e-mail: [spl@ispl.co.kr](mailto:spl@ispl.co.kr)  
To place an order, contact your local distributor or  
Tel: +82-31-533-4800; Fax: +82-31-533-1430; e-mail: [business@ispl.co.kr](mailto:business@ispl.co.kr)

SPL-TDS-Q-Suction 8-Tip

*For Research Use Only. Not intended for use in diagnostic or therapeutic procedures.*  
© SPL Life Sciences Co., Ltd., Version 1, Jul. 24<sup>nd</sup>, 2019